

MATTRESS CUSTOMIZATION

Spa Prestige and Nefos are the exclusive upholstery lines by Lemi. The innovative material and its special finishing touch guarantee easy-cleaning and hygiene. Its extraordinary structural qualities will persist through the years. An incredibly elastic texture enhances the memory foam mattress softness and quality at its best, giving Spa Clients a complete and satisfying wellness experience.

SPA PRESTIGE COLORS



NEFOS COLORS

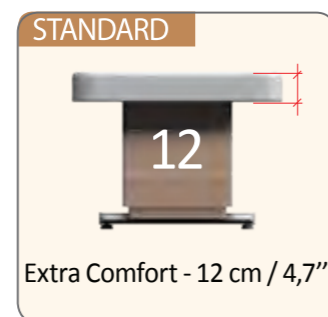


MATTRESS THICKNESS



Comfort - 9 cm / 3,5"

Mattress with high density foam for energetic massages



Extra Comfort - 12 cm / 4,7"

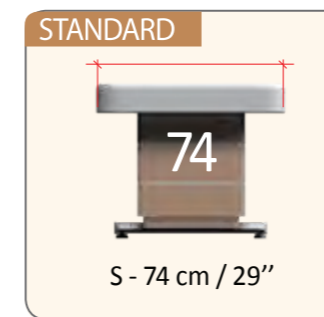
Comfortable mattress for relax massages



Super Soft - 15 cm / 6"
with Memory Foam

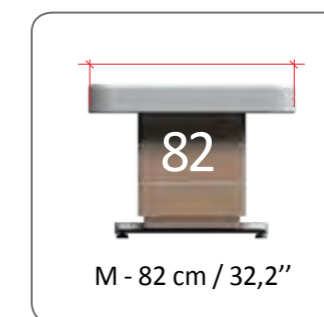
Super soft mattress with memory foam, available ONLY for 74 cm / 29" and 82 cm / 32,2" width.

MATTRESS WIDTH



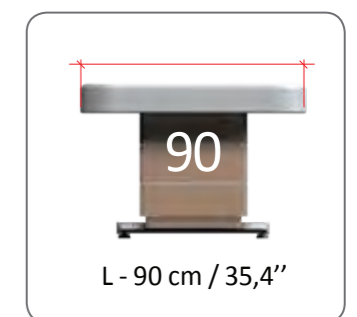
S - 74 cm / 29"

Width Standard - 74 cm / 29"



M - 82 cm / 32,2"

Width Medium - 82 cm / 32,2"



L - 90 cm / 35,4"

Width Large - 90 cm / 35,4"