

PODO MIX 1-2M

Lemi
ITALIAN WELLNESS EQUIPMENT

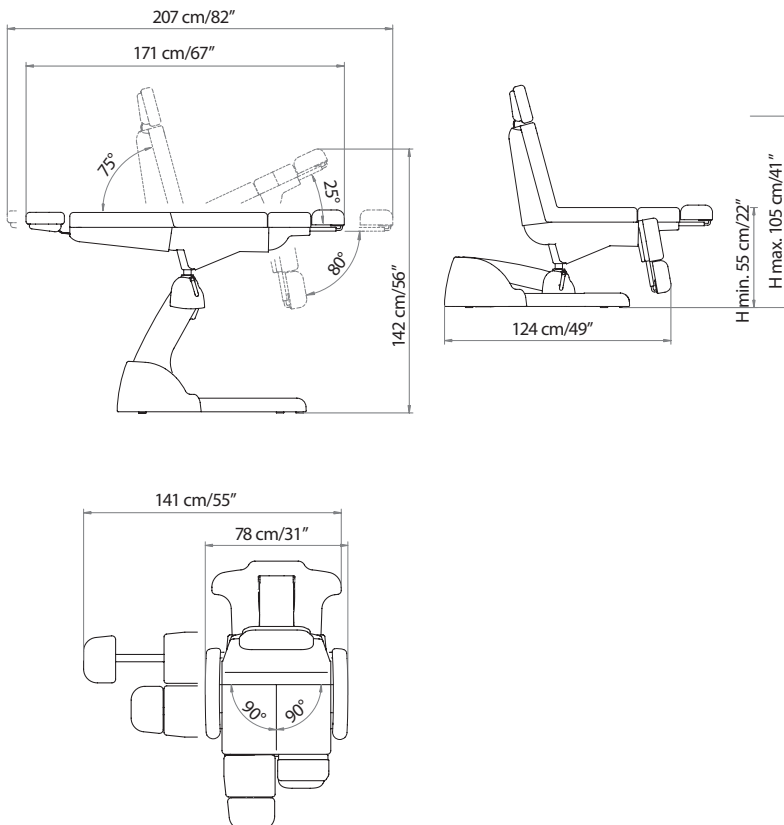
PODIATRY



Focus on

- Version with 1 electric motor for height adjustments
- Version with 2 electric motors for height and tilt adjustments
- Pedal control unit with automatic reset function
- Completely enclosed ABS casing
- Adjustable and extractable headrest
- High customization and class 1M fire resistant upholstery
- "Easy-to-clean" mattress
- Height adjustment for maximum comfort for practitioner and for patient
- Standard with anatomic mattress and flat armrest
- Rotation 180°

Dimensions



Finishing



- White
- Grey

