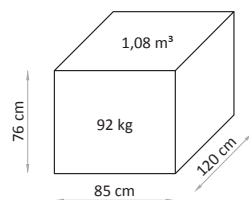
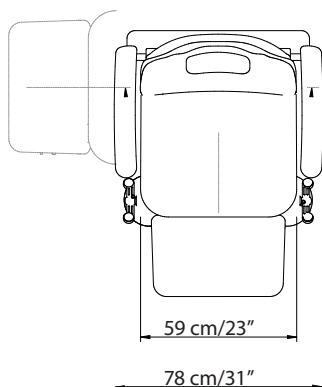
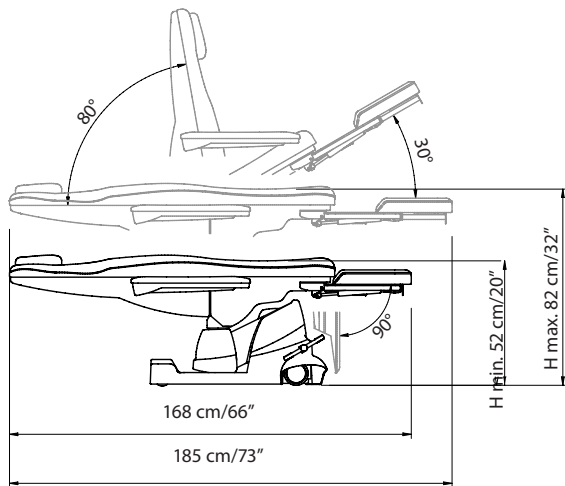




Focus on

- 4 electric motors for continuous adjustments
- Pedal controls with automatic reset function
- Entirely enclosed ABS casing
- Seamless "Easy-to-clean" mattress
- Class 1 IM fire-resistant upholstery for medical examination tables
- Flat armrest standard
- Move base with integrated wheels (available in grey color only)
- Rotation not available

Dimensions



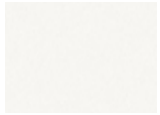
Finishing



- Grey



NEFOS COLORS



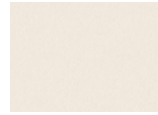
6



1155



1182



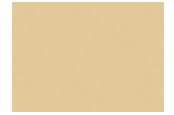
1957



6985



3962



2124



2146



1194



6986



64



71



2173



1388



667



680



569



1843



1868



6942



6941



5946



6940



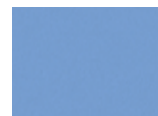
4942



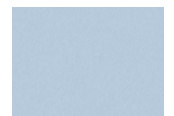
1305



991



8009



8019

ACCESSORIES UPON REQUEST



I.V. Rod (to be fixed with rotated clamp and guides on the back)



Blood sample taking armrest couple (to be fixed with fix clamp and guides on the seat)



Medical armrest couple (to be fixed with rotatable clamp and guides on the back)



Back guides couple



Seat guides couple



Fixed clamps couple



Rotatable clamps couple



Thight supports couple (to be fixed with fix clamps and guides on the seat)



Wireless foot pedal control (NO foot pedal with cable and NO remote control can be fixed) (only for 3 motors)



Roll holder (66 cm)



Handset control for 4 M version



Heel support couple (to be fixed with fix clamp and guides on the seat)



Curtain holder (to be fixed with rotatable clamp and guides on the back)



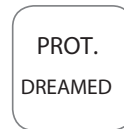
Paper roll



Inox tray with support (to be fixed with fixed clamp and guides on the seat)



Plastic cover for headrest



Plastic cover for legs



Customized mattress with logo